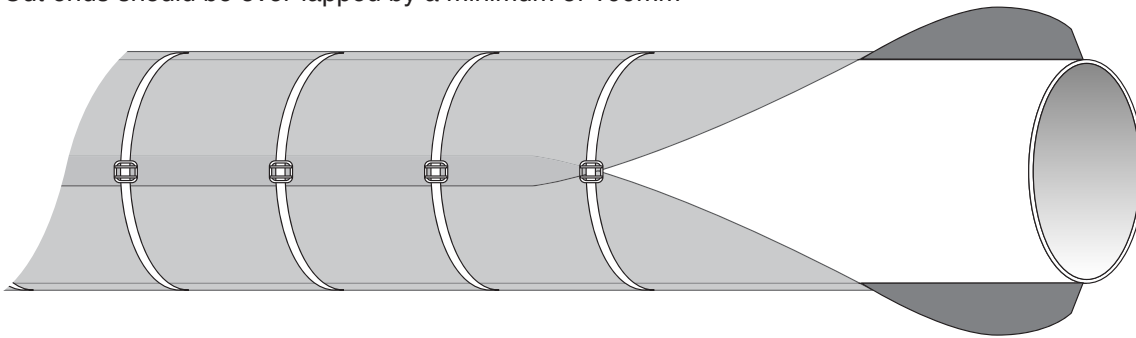


### Concrete Cloth™ Application Methods

Suggestions of possible methods for applying Concrete Cloth (CC) to the exterior of pipes are shown below. The preferred method will depend on the diameter of the pipe, level of access and thickness of CC to be used.

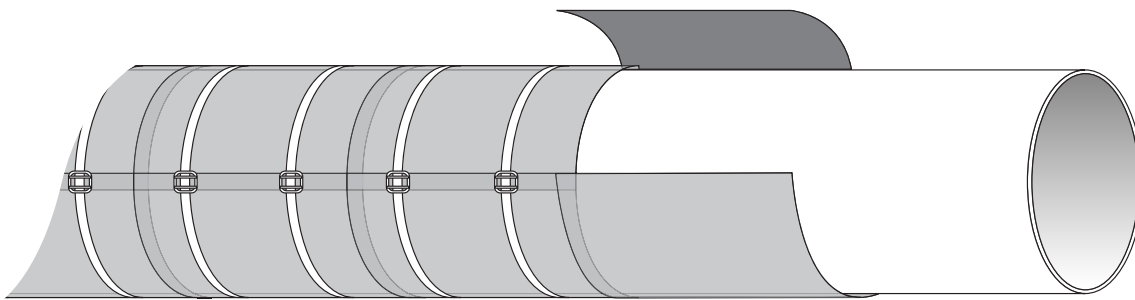
#### Longitudinal wrapping

- 1 Unroll CC parallel to the pipe which is to be protected
- 2 Place CC on top of the pipe
- 3 Wrap CC around the pipe overlapping the edges by a minimum of 50mm
- 4 The CC can be secured with plastic straps or by thermally welding the PVC backing for a waterproof seal (see thermal welding guide)
- 5 Cut ends should be over-lapped by a minimum of 100mm



#### Latitudinal Wrapping

- 1 Cut CC into strips to fit the diameter of pipe to be protected ensuring there is sufficient material to allow a minimum of 100mm overlap at the cut ends.
- 2 Secure in place using plastic straps or thermal welding



#### Spiral wrapping

- 1 Wrap CC around the pipe ensuring a minimum of 50mm overlap between adjacent strips
- 2 Secure in place using plastic straps or thermal welding

